

Application

The mobile radiation protection screen efficiently protects staff when manipulating radioisotopes for PET applications, especially during injection of doses to patients.



Features

Delivered fully assembled

Screen

- Lead core shielding over the whole width and length of the panel. Thickness: 15 mm or 30 mm, depending on the model
- Viewing window with lead glass of 15 mm lead equivalent
- No gap between the lead panel and the window which ensures an optimal protection against radiations
- Curved position of the screen towards the user, which allows closer protection and optimized access to the tray
- Cleared area between legs and wheels allowing free movements for users
- Detachable side handles
- Stainless high-quality materials and finish

Tray

- Ergonomic position of the tray
- Can be placed on three different positions without using tools
- Liquid retaining borders

Wheels

- Big wheels, of which two with standalone brakes and orientation locking mechanism
- Rubber tread wheels for a smooth and noiseless movement
- Large footprint which limits the risk of tipping
- Front legs and wheels can slide under the patient bed

Storage and maintenance

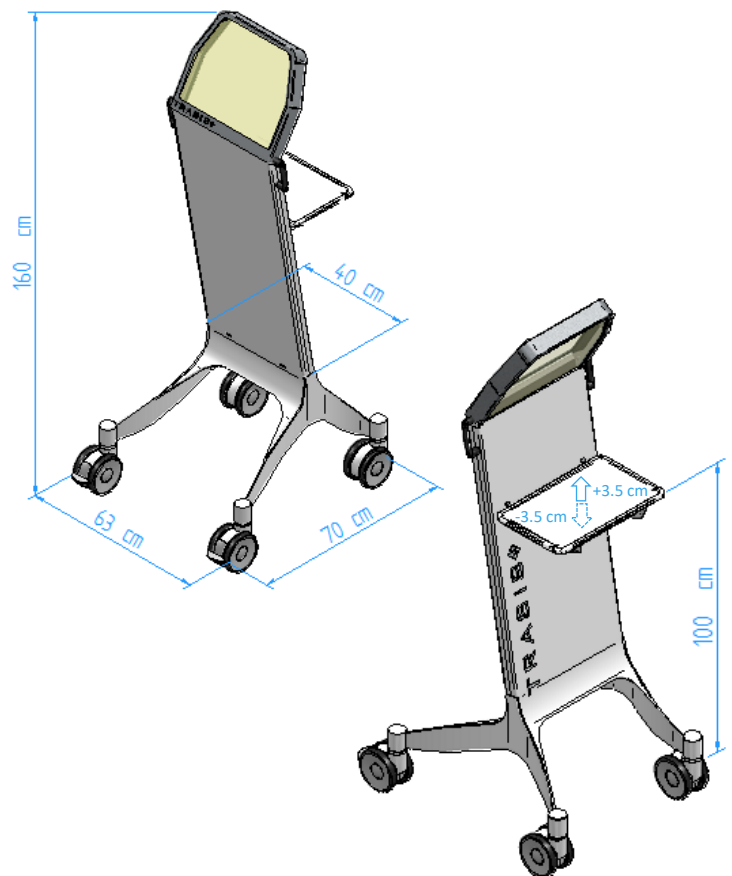
- Partial stacking of the screens allows storage in a tight room
- Can be cleaned with usual cleaning and decontaminating products

Order and supply

15 mm lead core	S9771
30 mm lead core	S10047

Specifications

Mass	105 kg (15 mm lead) 160 kg (30 mm lead)
Color	White RAL9010



Ergonomic tray for dose administration

The Unidose ergonomic tray is a device designed to facilitate the dose injection to patients. It renders the injection procedure more systematic and secures the connection between the injection set and the cartridge.

It can be fixed to a shielded screen or used as a table-top standalone device.

Features

- Specially designed cavities which firmly and safely connect the injection set to the cartridge.*
Two cavities, placed left and right, offer the operator the possibility to use the one adapted to his needs and habits
* *This function only works in combination with the Trasis injection set (see ordering references below)*
- A central flat area for manipulations
- Liquid retaining borders
- Two hooks and two holes for the patient injection line
The hooks can also be used to hang garbage bags
- Two tailor-made notched locations for the lids of the Unidose cartridge shielding
- Tool-free placement on shielded screens
- Manufactured out of resistant and stainless materials

Maintenance

Can be cleaned and decontaminated, even in decontamination bath, using the usual cleaning products.

Order and supply

Tray for Trasis mobile shielded screen	S10867
Table-top tray	S10868
Tray with adaptation for non-Trasis shielded screen	Upon request
Box of 100 Trasis injection sets	S6542



Tray on the Trasis mobile shielded screen



Table top tray